



**Housing:** die-cast aluminium.  
**Diffuser:** tempered glass, resistant to thermal shock and impacts.

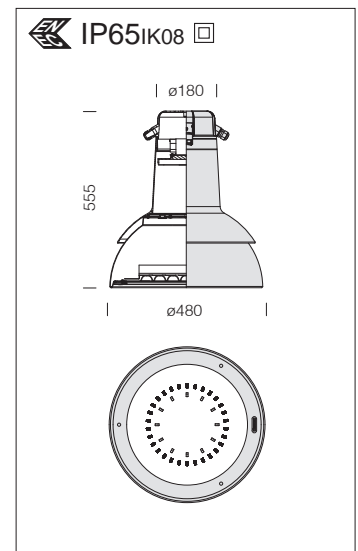
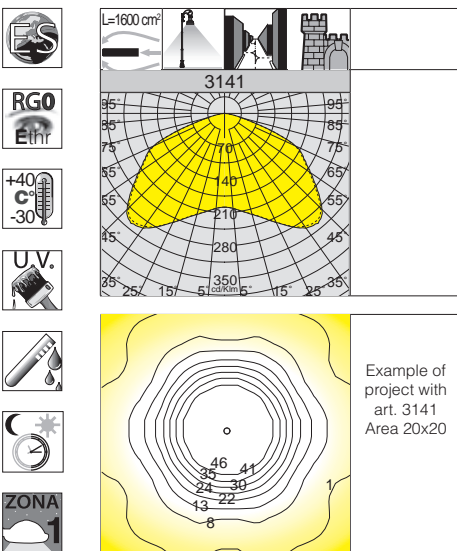
**Coating:** the standard liquid immersion coating consists of a first metal surface pre-treatment stage, a successive epoxy cataphoresis corrosion and salt resistant coating, and a final layer of bi-component acrylic liquid UV-stabilised coating. Reflector, ceramic white.



**On request:** coating compliant with UNI EN ISO 9227 Corrosion tests in artificial atmospheres for aggressive environments.

**Equipment:** these lighting fixtures also come with an automatic control temperature device, which protects the LEDs from peak current through a protection diode. Safety diode to protect against voltage peaks compliant with EN 61547. With dedicated electronic device to protect the LED module. Supplied with double insulation switch.

**Upon request:** available with AC/DC converter as standard to allow operation in public lighting systems.

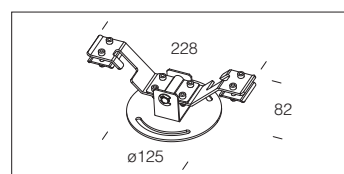


| 3141 Campana  |                  |          |           |                          |
|---------------|------------------|----------|-----------|--------------------------|
|               |                  | CLD CELL |           | LUMEN OUTPUT (tq= 25 °C) |
| wattage 530mA | colour           | weight   | code      | W tot                    |
| LED           | graphite + white | 8,30     | 326780-00 | 68                       |
|               |                  |          |           | K - ølm 530mA - CRI      |
|               |                  |          |           | 4000K - 8212lm - CRI>70  |

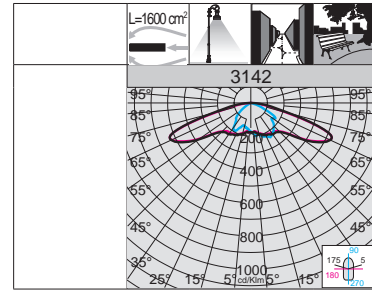
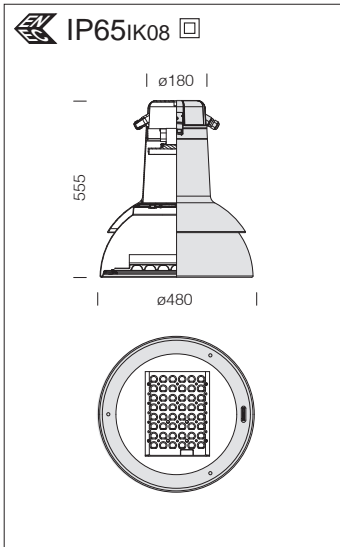
**On request:** possibility to control each individual light point (see table on p. XIX).

**LED:** Power factor ≥0.9. Luminous flux maintenance 80%: 80.000h (L80B20).

|                   | Power supply | n.LED | W tot | ølm    |
|-------------------|--------------|-------|-------|--------|
| <b>On request</b> | 350mA        | 42    | 45    | 5423lm |



| <b>acc. 56 suspension connection</b>   |           |
|--|-----------|
| 0.70   | 995727-00 |
| Made of stainless steel AISI 304. For installation on rope and steel cables. |           |

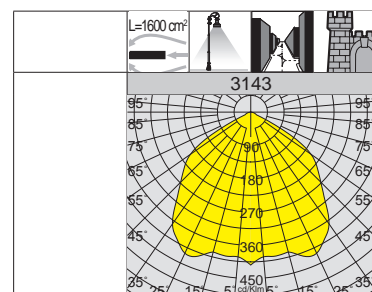
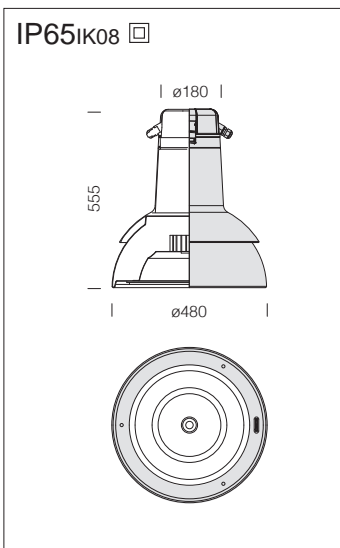


**Optics:** in high-efficiency, metal-coated V0 polycarbonate, matt finish and micro-faceted to reduce direct glare.

**LED:** Power factor  $\geq 0.9$ .  
Luminous flux maintenance 80%: 80.000h (L80B20).

| 3142 Campana  |                  |          |           |                          |                         |
|---------------|------------------|----------|-----------|--------------------------|-------------------------|
|               |                  | CLD CELL |           | LUMEN OUTPUT (tq= 25 °C) |                         |
| wattage 530mA | colour           | weight   | code      | W tot                    | K - ølm - 530mA - CRI   |
| <b>LED</b>    | graphite + white | 8,30     | 326785-00 | <b>78</b>                | 4000K - 8512lm - CRI>70 |

**On request:** possibility to control each individual light point (see table on p. XIX).



**Note:** when ordering, make sure you select the **AMBER LED** type best suited for your lighting design and installation needs.



**Reflector:** made of 3µ thick 99.85 anodised and polished hammered aluminium.

**LED:** Power factor  $\geq 0.9$ .  
Luminous flux maintenance 80%: 50.000h (L80B20).

| 3143 Campana         |                  |          |           |                          |                                |
|----------------------|------------------|----------|-----------|--------------------------|--------------------------------|
|                      |                  | CLD CELL |           | LUMEN OUTPUT (tq= 25 °C) |                                |
| wattage (1050mA)     | colour           | weight   | code      | W tot                    | K - ølm 1050mA - CRI           |
| <b>LED COB</b>       | graphite + white | 8,30     | 326786-00 | <b>41</b>                | 4000K - 3732lm - <b>CRI 90</b> |
| <b>LED COB AMBER</b> | graphite + white | 8,30     | 326786-73 | <b>43</b>                | 2200K - 4273lm - <b>AMBER</b>  |

**On request:** possibility to control each individual light point (see table on p. XIX).