




PARK



Die-cast EN AB-47100 aluminium housing (copper free) with high corrosion resistance.
 Rectangular extruded aluminum pole with inspection door.
 Steel zinc-plated mounting flange with stainless steel screws.
 Clear toughened glass 5 mm thick.
 Stainless steel screws.
 Luminaire hard wired with H07RN-F cable.
 Inspection door perfectly flush with the pole surface.
 Electrical wiring with fast connector.
 PARK supplied with electronic circuit with temperature sensors for each LED to optimize the lifetime.
 Silicone gaskets.
Double powdered paint in 3 step process:
 _ surface treatment containing ceramic nano particles (Bonderite);
 _ epoxy primer paint;
 _ polyester powder paint with high resistance against UV rays and harsh weather conditions.

LED versions supplied with LED circuit.


IP65

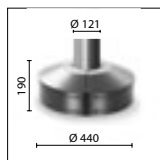
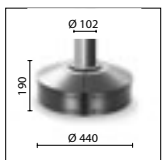
CLASS II 

IK 09



COLOUR:

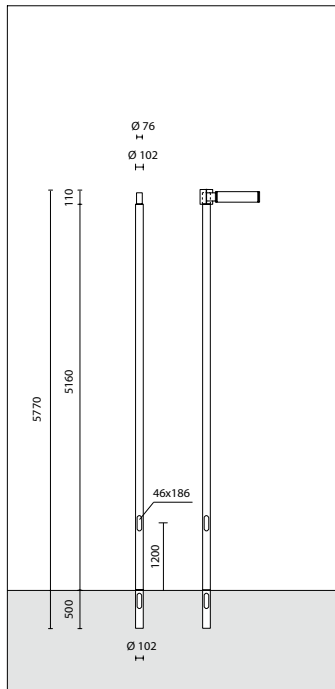
 Aluminium grey (code 14)



S.2809.14

POLE BASE COVER

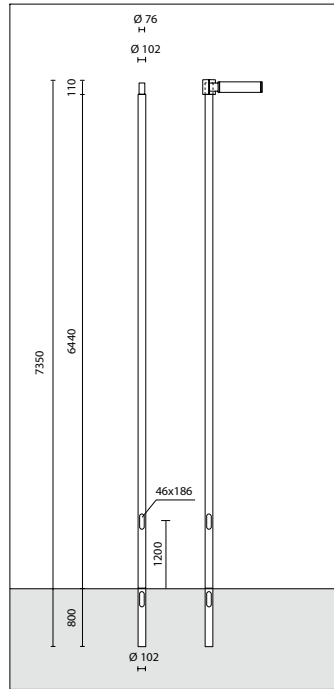
For pole with base and pole to be buried Ø102mm or Ø121mm.
 Die-cast aluminium housing.



S.2816.14

Ø 102 mm CYLINDRICAL POLE TO BE BURIED with Ø 76 mm SPIGOT

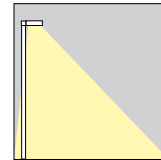
Pole in galvanized steel, with polyester powdered paint with high resistance against UV rays and corrosion.
 Galvanization, sections and thickness in compliance with UNI EN 40 norms.
 Pole total height 5.77 m
 To be buried for 0.5 m
 Provided with inspection door and terminal board.



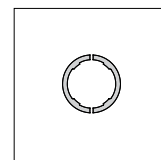
S.2818.14

Ø 102 mm CYLINDRICAL POLE TO BE BURIED with Ø 76 mm SPIGOT

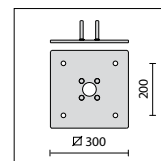
Pole in galvanized steel, with polyester powdered paint with high resistance against UV rays and corrosion.
 Galvanization, sections and thickness in compliance with UNI EN 40 norms.
 Pole total height 7.35 m
 To be buried for 0.8 m
 Provided with inspection door and terminal board.



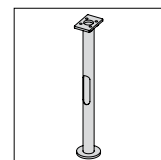
The light distribution is in accordance with light pollution regulations.



ON REQUEST ADAPTOR
 for cylindrical poles with welded spigot Ø 60mm

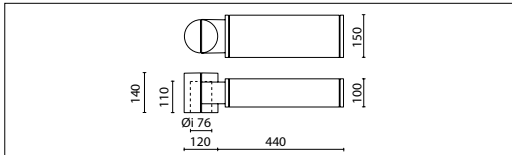


ON REQUEST FIXING BASE
 Base 300x300mm
 Spacing 200x200mm
 Holes for M16



S.7109 FLANGE ACCESSORY
 100x150mm h 820mm flange to be fixed in concrete with stainless steel screws for fixing in the ground.

20 LEDS VERSION



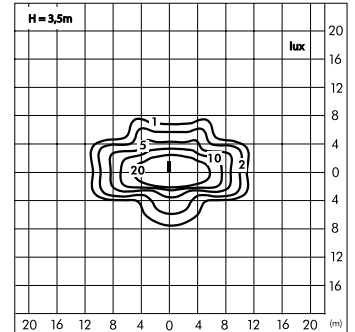
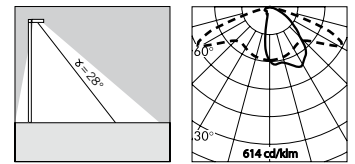
S.7120N



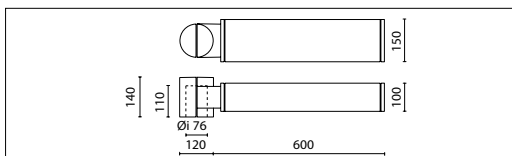
With 20 leds white 4200K 5180lm
Rated luminaire luminous flux 3438lm
Rated input power 46W 240V

With steet optic
Luminous flux wasted upward 0%.

Suitable for cylindrical poles
H 3,50m ÷ 6,00m
with welded spigot Ø 76mm



36 LEDS VERSION



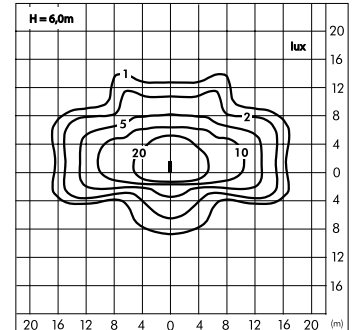
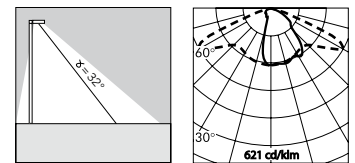
S.7140N



With 36 leds white 4200K 8640lm
Rated luminaire luminous flux 5948lm
Rated input power 84W 240V

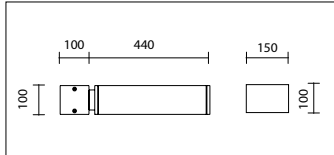
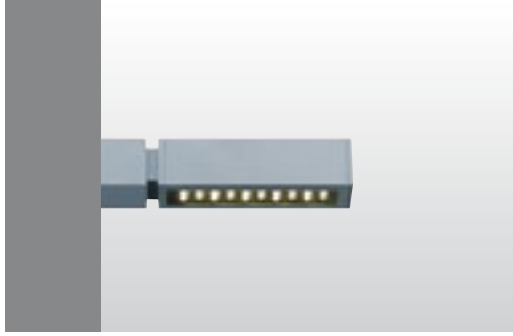
With street optic
Luminous flux wasted upward 0%.

Suitable for cylindrical poles
H 5,50m ÷ 8,00m
with Ø 76mm spigot attachment



The post top luminaire with flange for Ø 76mm cylindrical pole (or Ø 60mm with reducer accessory) can be installed as double version removing from each fitting the back part of the flange.

20 LEDS VERSION

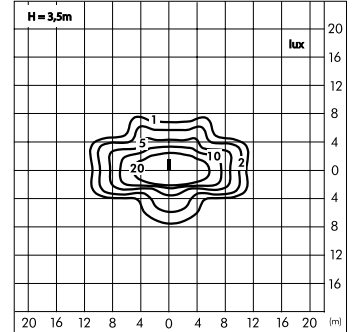
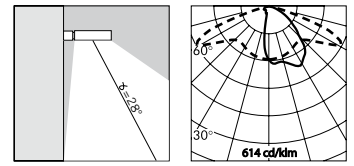


S.7130N

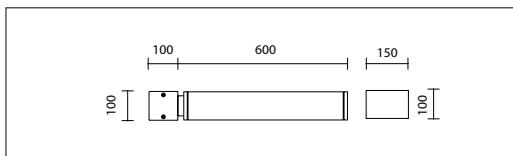
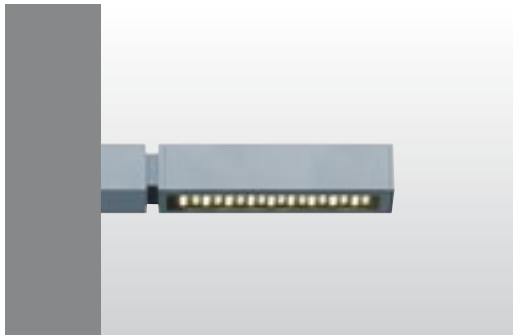


With 20 leds white 4200K 5180lm
 Rated luminaire luminous flux 3438lm
 Rated input power 46W 240V

With street optic
 Luminous flux wasted upward 0%.



36 LEDS VERSION

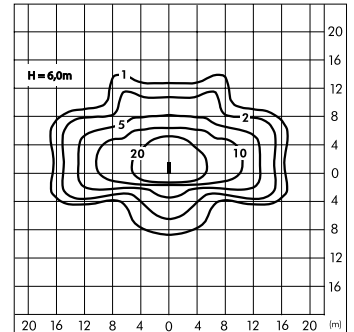
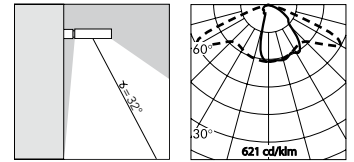


S.7150N

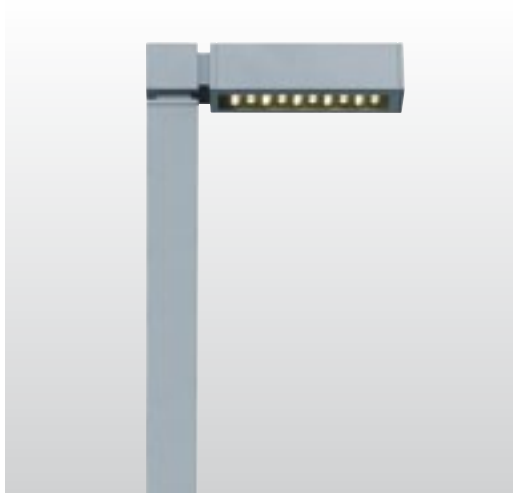


With 36 leds white 4200K 8640lm
 Rated luminaire luminous flux 5948lm
 Rated input power 84W 240V

With street optic
 Luminous flux wasted upward 0%.



SINGLE RECTANGULAR POLE H=3500mm



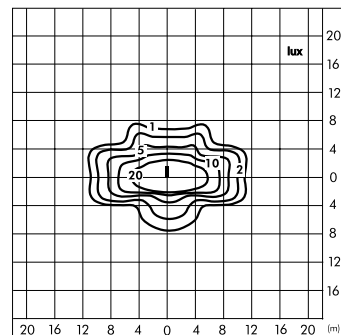
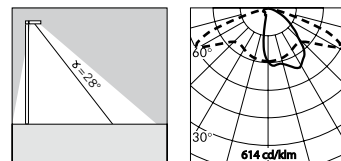
S.7100N



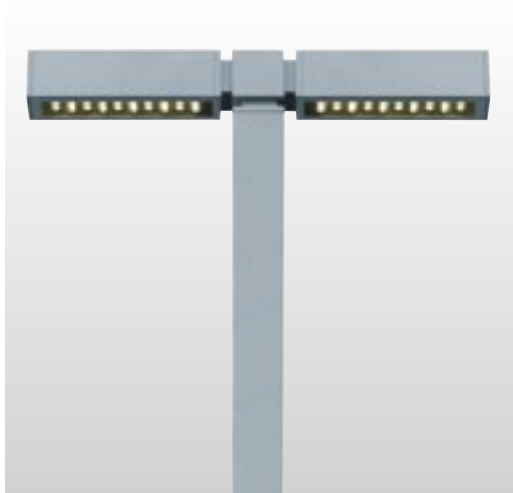
With 20 leds white 4200K 5180lm
 Rated luminaire luminous flux 3438lm
 Rated input power 46W 240V

With steel optic
 Luminous flux wasted upward 0%.

Rectangular extruded aluminum pole
 (h 3500 mm) included.



DOUBLE RECTANGULAR POLE H=3500mm



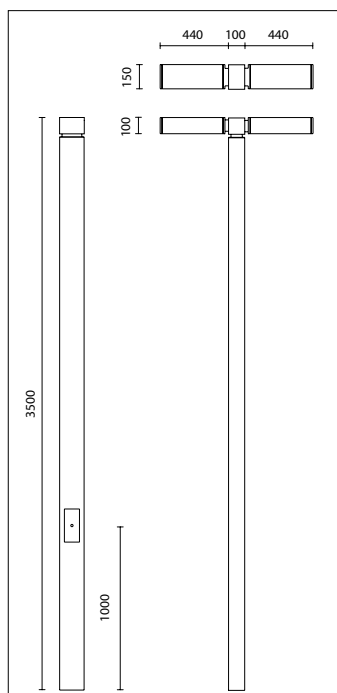
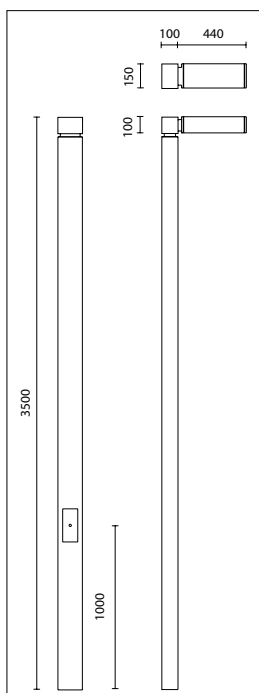
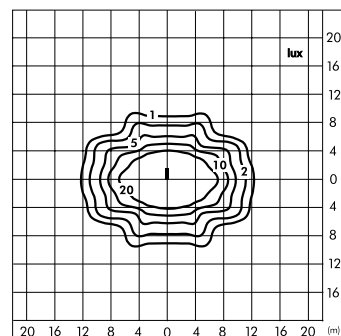
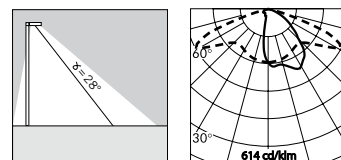
S.7110N



With 2 x 20 leds white 4200K 5180lm
 Rated luminaire luminous flux 6876lm
 Rated input power 92W 240V

With steel optic
 Luminous flux wasted upward 0%.

Rectangular extruded aluminum pole
 (h 3500 mm) included.



Inspection door perfectly flush with the pole surface.