



Housing/Frame: in die-cast aluminium with cooling fins integrated into the cover and designed with a very small surface exposed to wind.

Diffuser: tempered glass, 4 mm thick, resistant to thermal shocks and impacts (UNI-EN 12150-1: 2001).

Coating: polyester resin for powder coating, resistant to corrosion and saline environments.

Standard supply: temperature control inside the device with automatic resetting. Safety diode to protect against voltage peaks compliant with EN 61547 (4/6KV). Equipped with anti-condensation filter; complete with quick connection.

LED: Luminous flux maintenance 70% 80.000h (L70B20)
Power factor $\geq 0,95$.

Flicker free: <15%

Dimmable: Standard 1-10V dimmer, dimmable from 10% to 100%.

Photometric performance: designed with an optical system capable of controlling the potential glare created by the growing light intensity of LEDs while achieving high photometric performance.

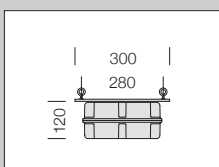
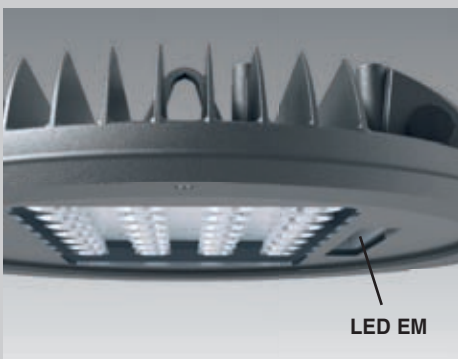
fixture	room	LUX	Qty	P tot W	Energy saving
Astro (16 LED)	60m x 40m x 6m	232	40	5400	57%
Reflector JM-E 250W	60m x 40m x 6m	219	45	12600	

fixture	room	LUX	Qty	P tot W	Energy saving
Astro (24 LED)	60m x 40m x 8m	354	40	8080	53%
Reflector JM-E 400W	60m x 40m x 8m	319	40	17200	

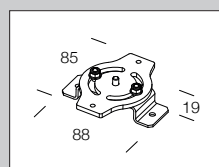
Energy saving: the comparison shows how Astro can save more energy compared to conventional discharge lamps and meet applicable standards.

We recommend using LED technology to save energy in environments where lights stay on for a long time.

Visconti

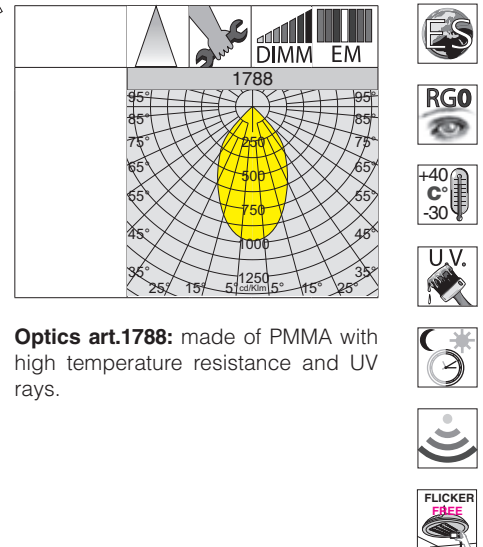
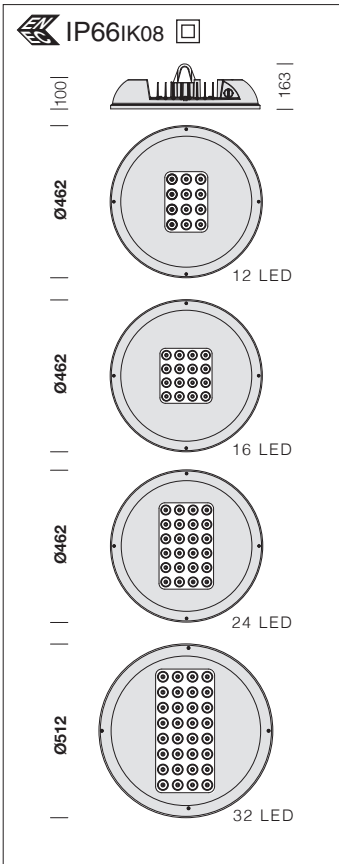


acc. 1175 Box
997658-00
To be used when purchasing Astro EM version, with sub-code -07.



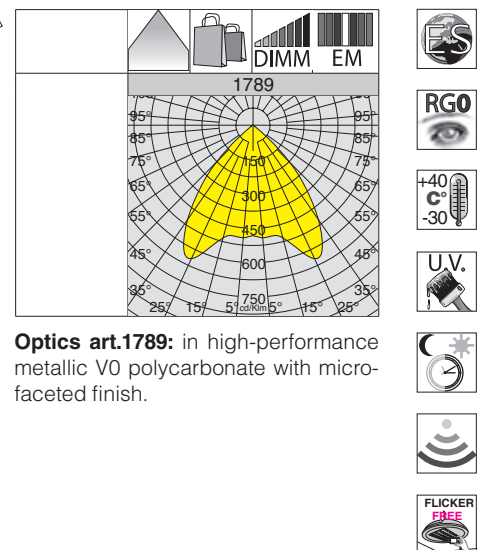
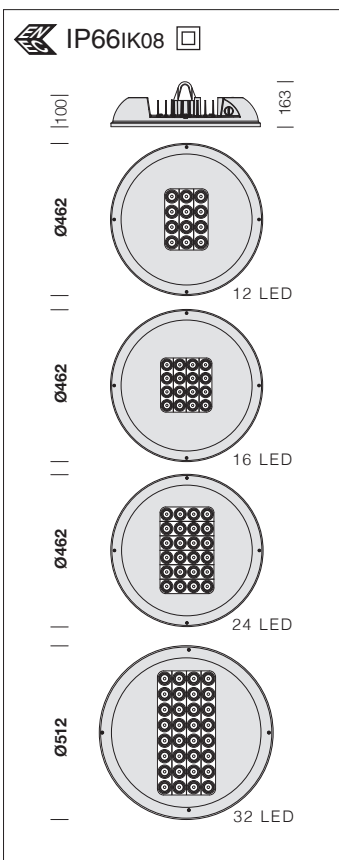
acc. 533
adjustable connector
993975-00
Adjustable connector - 120°

On request: possibility for the various options for managing the supply point (see table on p. XVII). Presence sensor or light sensor to wall or ceiling (see *dimnable fixture control kit* chapter).



Optics art.1788: made of PMMA with high temperature resistance and UV rays.

1788 Astro - narrow beam						
		CLD CELL-D (1-10V)		CLD CELLD-E		LED (Tj=85°C)
wattage 700mA	colour	weight	code	code	W	K - ølm 700mA - CRI
LED	s. silver	11.10	330086-00	330086-07	94	4000K - 12960lm - CRI 80
LED	graphite	11.10	330087-00	330087-07		
LED	s. silver	11.10	330080-00	330080-07	125	4000K - 17280lm - CRI 80
LED	graphite	11.10	330083-00	330083-07		
LED	s. silver	12.00	330081-00	330081-07	187	4000K - 25920lm - CRI 80
LED	graphite	12.00	330084-00	330084-07		
LED	s. silver	12.50	330082-00	330082-07	250	4000K - 34560lm - CRI 80
LED	graphite	12.50	330085-00	330085-07		



Optics art.1789: in high-performance metallic V0 polycarbonate with micro-faceted finish.

1789 Astro - wide beam						
		CLD CELL-D (1-10V)		CLD CELLD-E		LED (Tj=85°C)
wattage 700mA	colour	weight	code	code	W	K - ølm 700mA - CRI
LED	s. silver	11.10	330096-00	330096-07	94	4000K - 12960lm - CRI 80
LED	graphite	11.10	330097-00	330097-07		
LED	s. silver	11.10	330090-00	330090-07	125	4000K - 17280lm - CRI 80
LED	graphite	11.10	330093-00	330093-07		
LED	s. silver	12.00	330091-00	330091-07	187	4000K - 25920lm - CRI 80
LED	graphite	12.00	330094-00	330094-07		
LED	s. silver	12.50	330092-00	330092-07	250	4000K - 34560lm - CRI 80
LED	graphite	12.50	330095-00	330095-07		