

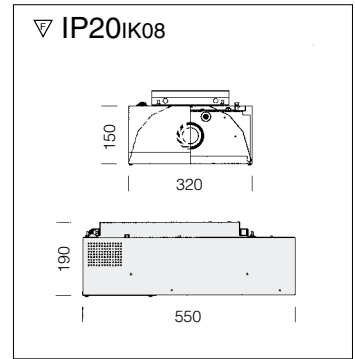
NOTE: for optimal operation of highbays supplied without lamp (CNR), please use appropriate lamps, compatible with the relevant electric gear:

- **1103/1104 Nikos JM-T 400**
Power supply: 3.25 A mercury vapour
Ignitor: 0.6-1.0 kV impulses
- **1103/1104 Nikos JM-T/SAP-T 250**
Power supply: 3A high pressure sodium / metal halides
Ignitor: 3.5-4.5 kV impulse overlapping



1103 Nikos - symmetric			
		CNR	
wattage	colour	weight	code
JM-T/SAP-T 250	white	8.60	321560-00
JM-T 400	white	10.00	321561-00
SAP-T 400	white	10.00	321562-00

Option to use glass and protection guard simultaneously. Emergency version with one FLC18D/E lamp. With separate electric gear box. The price is obtained by adding the reflector and acc. 1175 prices, and should not be calculated per pallet. FLC26D/E lamp available on request **Acc. 1175, CNL-E code 997659. Please specify the required version in your order (the highbay is specially made with sub-code -07).**



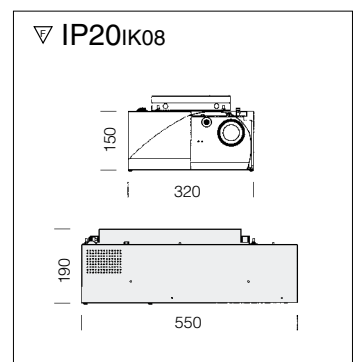
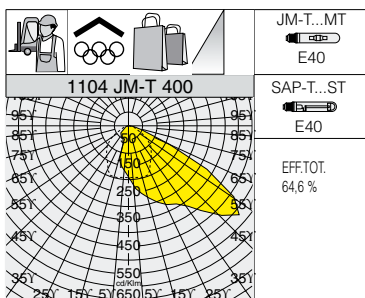
Housing: made of sheet steel galvanised and coating.

Reflector: made of anodised, polished and prismatic aluminium 99.85.

Coating: UV-stabilised white polyester powder after phosphatizing treatment.

Wiring: Flexible wire, with admiralty brass rapid connection clamps, silicone insulation with fibreglass braid. 2P+T terminal block (maximum allowed lead cross section 4 sqmm.)

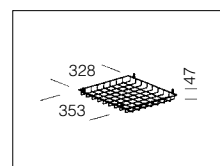
Standard supply: Supplied with ceiling mounting unit.



Reflector: made of anodised, polished and prismatic aluminium 99.85.

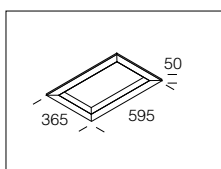
1104 Nikos - asymmetric			
		CNR	
wattage	colour	weight	code
JM-T/SAP-T 250	white	8.60	321570-00
JM-T 400	white	10.00	321571-00

Option to use glass and protection guard simultaneously.



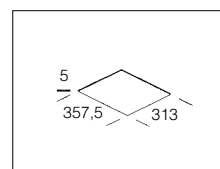
acc. 1187 protection guard	
0.50	321511-00

White plastic-coated steel rod. For protection against impact.



acc. 1185 rec. mounting frame	
1.00	321508-00

Steel, painted white. Frame for recessed mounting of art.1103 and 1104 in 600x600 false ceilings.



acc. 1188 glass	
1.45	321512-00

Tempered protective glass, resistant to impact and thermal shock. If frescoes are present, request a UV STOP filter (cod.321513).