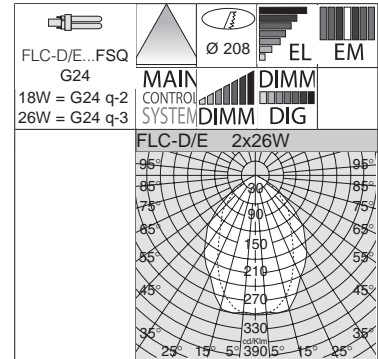


Housing: Vandal-resistant, self-extinguishing, metal-colour polycarbonate, 100% aluminium powder-coated through a C.V.D. hard-vacuum process.

Reflector: Polycarbonate, metalized with high grade aluminium powders through a C.V.D. hard-vacuum process for greater light control and efficiency. Ideal for installation in open-plan offices and shopping centres.



Colour ring for Energy 8

white	22091916-00
red	22091923-00
green	22091945-00
yellow	22091954-00
blue	22091982-00

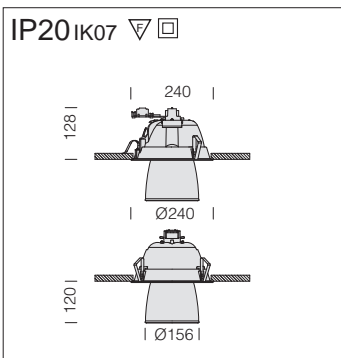
Coloured ring to be fitted to the art. Energy 8.

Energy 8

wattage/W	colour	CELL		CELL-E		Lamps (Ta=25°C)	
		weight	code	weight	code	Kelvin - ølm - Ra	
FLC-D/E 1x26	white	1,10	22191417-08	2,20	22191417-09	4000K - 1800 lm - Ra 1b	
FLC-D/E 2x18			22191419-08	2,30	22191419-09	4000K - 1200 lm - Ra 1b	
FLC-D/E 2x26			22191416-08	2,30	22191416-09	4000K - 1800 lm - Ra 1b	

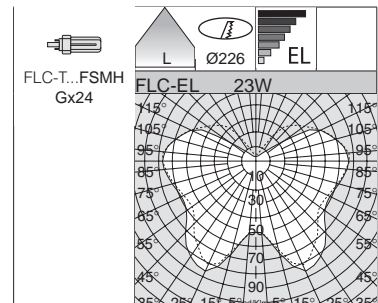
Energy 8

wattage/W	colour	CELL-D (1-10V)		CELLD-E (1-10V)		CELLD-DIG (dali)		CELLD-DIG-E (dali)		Lamps
		weight	code	weight	code	weight	code	weight	code	Kelvin - ølm
FLC-D/E 2x26	white	1,30	22191416-12			1,30	22191416-1241			4000K - 1800 lm
FLC-D/E 2x26	white			2,30	22191416-94			2,30	22191416-9441	4000K - 1800 lm



Housing: V2 self-extinguishing, UV-stabilized, anti-yellowing polycarbonate.

Diffuser: Supplied with an opal faceted polycarbonate cone diffuser. With clear coloured ring.



Argostar 1

wattage/W	colour	CEL	
		weight	code
FLC-T/E 32	alum.	1,10	22171172-00

FLC32T/E version with lateral control gear box. Blue coloured ring accessory and opal cone included. Band springs for ceiling panels from 1mm to 20mm thick.

Coloured ring

white	22091811-00
red	22091822-00
green	22091843-00
yellow	22091854-00
blue	22091885-00